

(QUIET-TUNING FOR 100W TRANSCEIVERS in RSGB's RadCom april 1995)

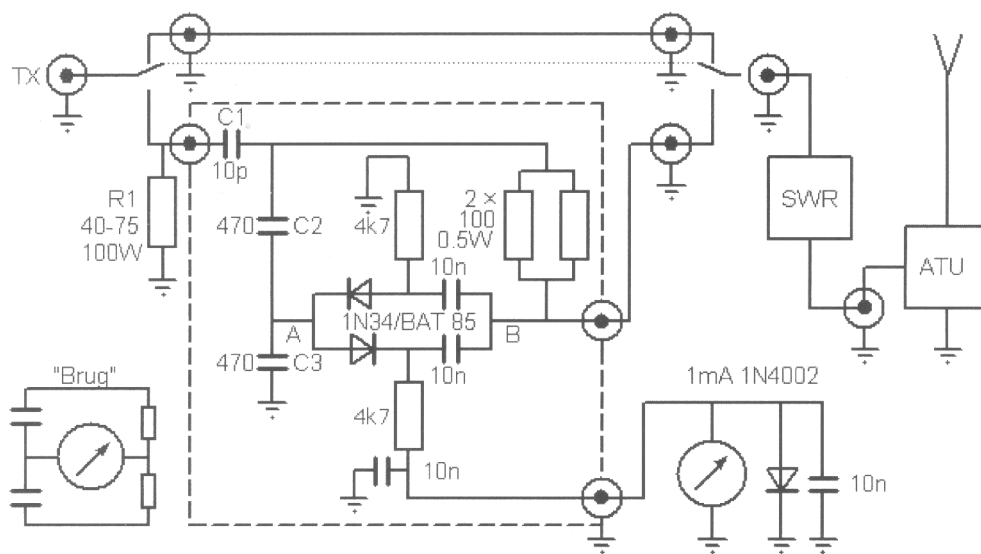


fig 1